

CB-148 Packaging Machine

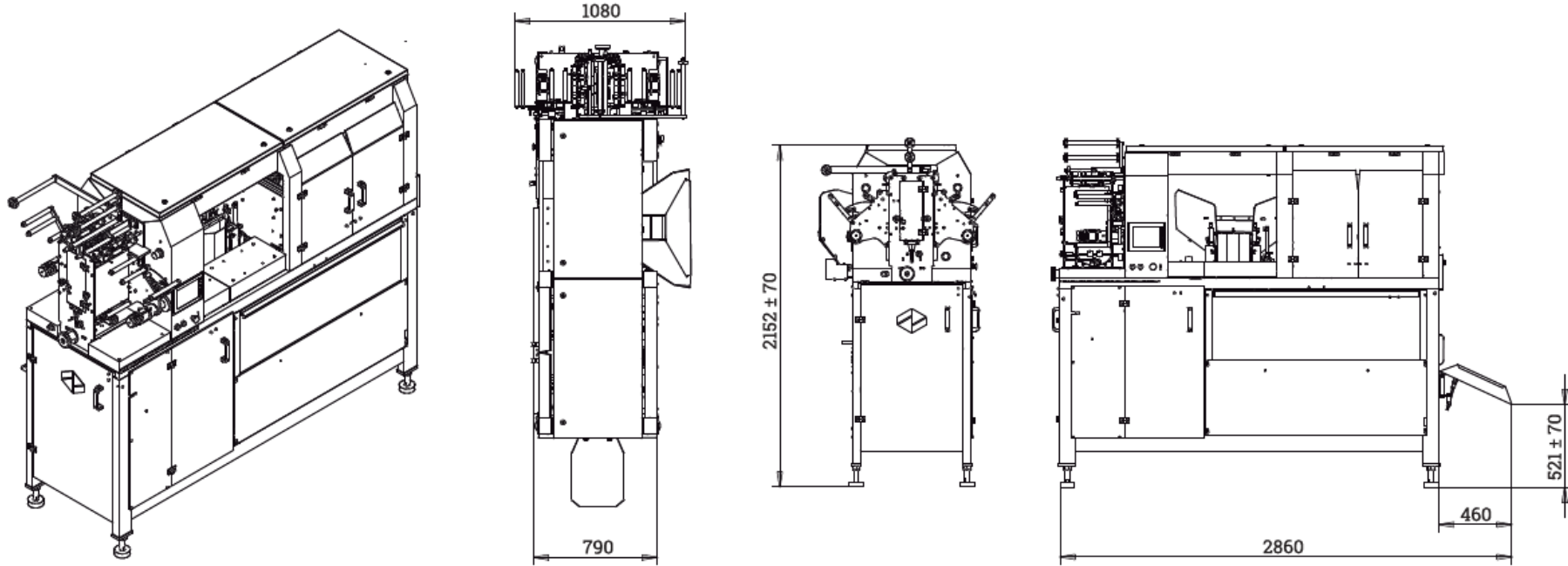
DAUMAR is a Global Packaging Solutions supplier to the fresh produce industry.

CB-148: Packaging Machine

3th
generation
of CB48
machine



CB-148: Packaging Machine



CB-148 >

Simplicity

Versatility

Maximum
autonomy

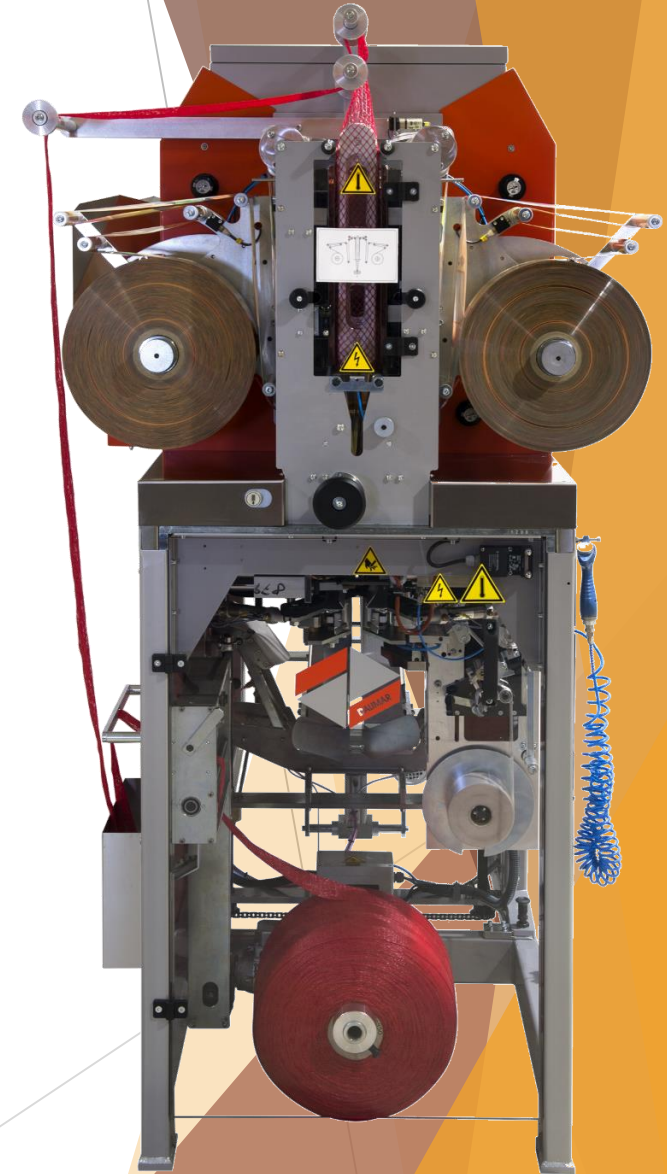
Hight
productivity

CB-148: Packaging Machine

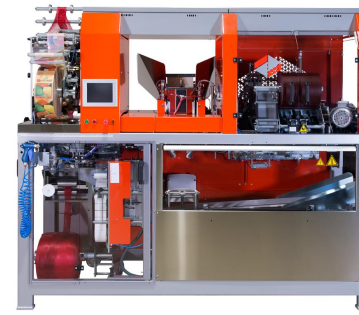
- ▶ High-Productivity, up to 32 bags per minute.
- ▶ Makes D-PACK & DAUSAC bags from 250 gr. up to 5 Kg.
- ▶ Remote Maintenance via Ethernet Connection
- ▶ Optional Direct Thermal Transfer Printer.
- ▶ Delicate produce handling due to horizontal design.
- ▶ CB-148 incorporates a colour LCD touch-screen with intuitive software. It also allow for easy remote diagnostics via built-in Ethernet port.

Portions delivered per minute			
Weight	1 Kg	2.5 Kg	5 Kg
N° of Packs	32	28	20

*Always depending on the product, variety and size.



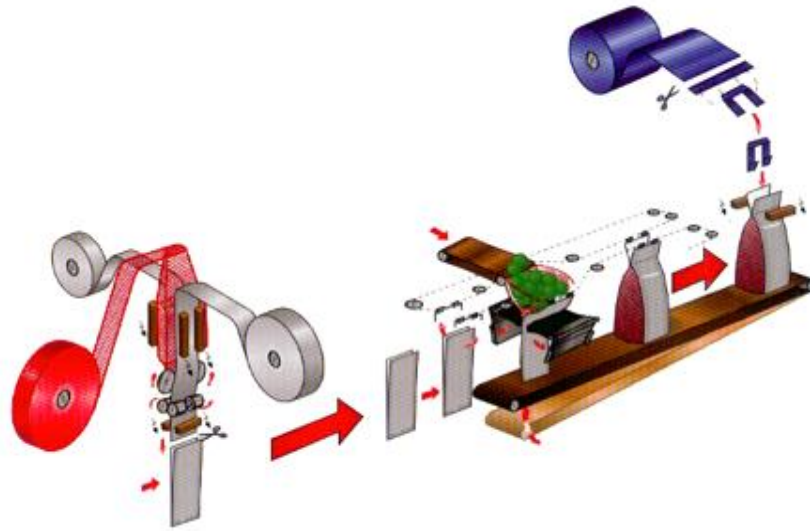
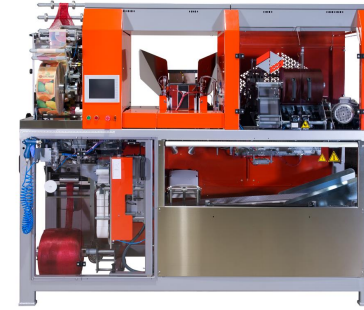
D-PACK



- Beautifully finished bag, strong and stable
- Carry handle or finger holes on the header
- Film widths from 75 mm to 158 mm wide
- Two labelling options:
 - Direct thermal transfer
 - Thermo-adhesive sticker
- Attractive product presentation
- Great advertising area
- Ready for confection with knitted net or extruded net
- Capacity 250 gr to 5 kg

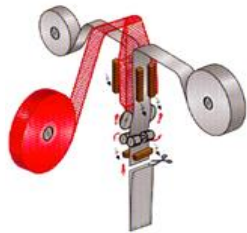


Why DAUMAR's CB-148?



Phase 1

Making bags by four vertical welders and a lower welder to paste the film with net.



Phase 2

Introduce the top of the bag in the transport clamps.



Phase 3

Bag opening to introduce the product inside. Through an infeed belt the product comes alignment.



Phase 4

Intermediate bag welder to introduce the net by a sophisticated system.



Phase 5

By temperature make piercing hole on top, or introduce a handle to easy transport. At the end close the bag on the top.

Layout Examples:

- ▶ 4012B2 Weighing Machine
- ▶ CB-148 Welding Machine

